

# DOT-X

Displays by Dotronix

## M20i SERIES DISPLAY



160 FIRST STREET S.E.  
ST. PAUL, MN 55112-7894  
PHONE 651-633-1742  
FAX: 651-633-1065  
www.dotronix.com

Publication No. 01095 Rev A

*User's Manual*

## PRECAUTIONS

This monitor contains circuits and components designed to meet specific performance and safety requirements. No component changes may be made without the written permission of the manufacturer.

To prevent electrical shock, *do not* attempt to disassemble the monitor. There are no user-serviceable parts inside. Servicing, if required, should be performed only by qualified service technicians familiar with the equipment and safety procedures.

**Servicing by unauthorized personnel may be *dangerous* and will void the warranty.**

If any damage to the monitor is found, report it immediately to Dotronix.

DO NOT RETURN DAMAGED MERCHANDISE TO THE MANUFACTURER UNTIL AN APPROPRIATE CLAIM HAS BEEN FILED WITH THE CARRIER AND A RETURN MATERIAL AUTHORIZATION NUMBER (RMA) HAS BEEN RECEIVED FROM THE MANUFACTURER.

All rights reserved. No part of this publication may be reproduced, stored in a retrieval system, or transmitted, in any form or by any means, mechanical, photocopying, recording or otherwise, without the prior written permission of Dotronix, Inc. No patent liability is assumed with respect to the use of the information contained herein. Where every precaution has been taken in the preparation of this manual, Dotronix, Inc. and the author assume no responsibility for errors or omissions. Neither is any liability assumed for damage resulting from the use of the information contained herein.

Specifications are subject to change due to technological progress.

© Copyright 1999, Dotronix, Inc.  
Publication No.01095A  
160 First Street S.E.  
St. Paul, MN 55112-7894, USA

## Dotronix Limited Warranty

Dotronix warrants that for one (1) year from date original purchase, it will, at its option, repair, replace or refund the purchase price of any product which it manufactured that proves defective in material or workmanship in normal use and service.

To obtain service under this Warranty, contact Dotronix Inc. at the address below, within one (1) year of original purchase, to receive a Return Material Authorization (RMA) number. Then ship the product believed to be defective, transportation prepaid, for inspection.

Dotronix shall not be responsible for unauthorized returns that do not list the RMA number and quantity returned on the outside of the shipping container (i.e. on packing list in plain view).

For products supplied without a frame (Less CRT and Printed Circuit Board Mounting), the buyer must inspect the products within ten (10) days of receipt. After ten (10) days have lapsed, there shall be no warranty coverage for broken or damaged parts, or misalignment (i.e. broken torque seals where used). The products will be packed to allow Buyer to test the unit within its packing carrier.

This Warranty applies only to goods manufactured by Dotronix Inc. Various component parts manufactured by others (such as cathode ray tubes, semi-conductors, and fuses ) are covered by the separate warranty of their manufacturers. Where Dotronix, Inc. warranty differs, only the warranty of the original component part manufacturer is offered. Of course, the Dotronix warranty does not apply to CRT's that are scratched, broken, burned or have imperfections in any special coatings. It also does not apply to products which have been altered, damaged, abused, or subjected to misuse, or repaired by anyone other than an authorized Dotronix repair person.

These displays require DHHS traceability under sub-part E, Section 1002.40 of the Regulations for the Administration and Enforcement of the Radiation Control for Health and Safety Act of 1968. It is the customer's responsibility to maintain records that satisfy this requirement.

THE TERMS OF THIS WARRANTY CONSTITUTES THE BUYER'S SOLE AND EXCLUSIVE REMEDY AGAINST DOTRONIX. THERE IS NO IMPLIED WARRANTY OF MERCHANTABILITY OR FITNESS FOR A PARTICULAR PURPOSE. UNDER NO CIRCUMSTANCE SHALL DOTRONIX BE LIABLE FOR INCIDENTAL AND CONSEQUENTIAL DAMAGES, OR IN ANY AMOUNT BEYOND THE REPLACEMENT COST OF THE ALLEGEDLY DEFECTIVE PART, REGARDLESS OF THE THEORY OF RECOVERY.

### All products returned to Dotronix must include:

1. A tag or label on each unit with a description of the defect or reason for return, or identify each unit on the packing list by serial number and defect.
2. A packing list attached to the outside of the shipping container showing the Return Authorization Number (RMA) and the quantity returned.

Products returned that are not identified in accordance with the above procedure will be refused and returned at Buyer's expense.

To obtain a Return Material Authorization (RMA) number contact:

**DOTRONIX INC.**  
160 First Street S.E. • St. Paul • Minnesota • 55112-7894  
Phone 651-633-1742 • FAX 651-633-1065

## NOTES

## Table of Contents

<b>CHAPTER 1 INSTRUCTION</b>	<b>2</b>
1.1 General Information	2
1.2 FCC Statement	2
1.3 IMPORTANT SAFETY INSTRUCTIONS	3
1.4 Technical service warning for x-ray radiation protection	4
<b>CHAPTER 2 INSTALLATION</b>	<b>6</b>
2.1 The Product	6
2.2 Connecting	7
<b>CHAPTER 3 DISPLAY DATA CHANNEL</b>	<b>8</b>
3.1 Appendix A: Specifications	8
3.2 Appendix B: Pin Assignments	9
3.3 Appendix C: Display Compatibility	9
3.4 Appendix D: HARC Checklist	9
3.5 Troubleshooting	10

## CHAPTER 1 INSTRUCTION

## NOTES

### 1.1 General Information

The DOT-X Mi-Series line of Intelligent Multi-Sync Displays offer a fully Windows compatible, built-in Intel based computer. The Mi-Series monitors can be directly connected to a network, providing all the benefits of a Pentium-class computer without the space and mounting requirements or the need for a keyboard and mouse. At Dotronix we are constantly creating new products to fit the needs of today's expanding market place. The M-20i is a Multi-Sync Display that delivers high-resolution graphics along with the ultimate in system flexibility and compatibility.

#### SVGA Resolution

The DOT-X Mi-Series displays provide a bright, clear, flicker free display by supporting refresh rates up to 72 Hz at either 640 x 480 or 800 x 600 which reduces eye strain and fatigue. The Mi-Series displays will automatically sync with non-interlaced signals, and can support resolution settings as high as 1024 x 768. Display image quality is greatly improved by the contrast enhancing dark glass and picture tube.

### 1.2 FCC Statement:

Note: This equipment has been tested and found to comply with the limits for a class A digital device, pursuant to part 15 of the FCC rules, these limits are designed to provide reasonable protection against harmful interference in a residential installation, this equipment generates, uses and can radiate radio frequency energy and, if not installed and used in accordance with the instructions, may cause harmful interference to radio communications, however, there is no guarantee that interference will not occur in a particular installation, if this equipment does cause harmful interference to radio or television reception, which can be determined by turning the equipment off and on, the user is encouraged to try to correct the interference by one or more of the following measures

- Reorient or relocate the receiving antenna.
- Increase the separation between the equipment and receiver.
- Connect the equipment into an outlet on a circuit different from that to which the receiver is connected.
- Consult the dealer or an experienced radio/TV technician for help.

### 3.5 Trouble Shooting

If your monitor fails to operate correctly, consult the following chart for possible solutions before calling for repairs.

<u>Condition</u>	<u>Check Point</u>
1. The picture does not appear	Check to make sure the signal cable is firmly seated in the socket. Check to see if the computer system power is on. Check the brightness control is at appropriate position, not at the minimum.
2. The screen is not synchronized:	Check to make sure the signal cable is firmly seated in the socket. Check the output level matches the input level of your computer. Make sure the signal timings of the computer systems is within the specification of the monitor.
3. The position of the screen is not in the center:	Adjust the H-size, H-Position, or V-Size, V-Position control.
4. The screen is too bright (too dark)	Check if the brightness of contrast control is at the appropriate position, not at the maximum (minimum). Check if the signal timing of the computer is within the specification of the monitor. Especially check the horizontal frequency.
5. The screen is shaking.	Move all objects which emit a magnetic field such as a motor or transformer, away from the monitor. Check if the specified voltage is applied. Check if the signal timing of the computer system is within the specification of the monitor.

If you are unable to correct the fault by using this chart, discontinue using your monitor and contact your distributor or dealer for further assistance.

#### Notice

- (1) The changes or modifications to the equipment not expressly approved by the party responsible for compliance could void the user's authority to operate the equipment.
- (2) Shielded interface cables and AC power cords, if any, must be used in order to comply with the emission limits.

### 1.3 IMPORTANT SAFETY INSTRUCTIONS

1. Read all of these instructions.
2. Save these instructions for later use.
3. Unplug this product from the wall outlet before cleaning. Do not use liquid cleaners or aerosol cleaners. Use a damp cloth for cleaning.
4. Do not use attachments not recommended by the monitor manufacturer as they may cause hazards.
5. Do not use this monitor near water. For example near a bathtub, wash bowl, kitchen sink, or laundry tub, in a wet basement, or near a swimming pool, etc.
6. Do not place this monitor on an unstable cart, stand or table. The monitor may fall, causing serious injury to a child or adult and serious damage to the appliance. Use only with a cart or stand recommended by the manufacturer or sold with monitor. Wall or shelf mounting should follow the manufacturer's instructions, and should use a mounting kit approved by the manufacturer.
7. Slots and openings in the cabinet at the back or bottom are provided for ventilation; and to ensure reliable operation of the product and protect it from overheating, these openings must not be blocked or covered. Placing the monitor on a bed, sofa, rug, or other similar surface should never block the openings. This monitor should never be placed near or over a radiator or heat register. This monitor should not be placed in built-in installation such as a bookcase unless proper ventilation is provided.
8. This monitor should be operated only from the type of power source indicated on the marking label. If you are not sure of the type of power supplied in your home, consult your monitor dealer or local power company.
9. This monitor is equipped with a three-wire grounding type plug, a plug having a third (grounding) pin. This plug will only fit into a grounding-type power outlet. This is a safety feature. If you are unable to insert the plug into the outlet, contact your electrician to replace your obsolete outlet. Do not defeat the safety purpose of the grounding-type plug.
10. Do not allow anything to rest on the power cord, do not locate this monitor where persons working on it will abuse the cord.

11. Follow all warnings and instructions marked on the monitor.
12. For added protection for this monitor, when it is unattended and unused for long periods of time, unplug it from the wall outlet. This will prevent damage to the monitor due to power-line surges.
13. Do not overload wall outlets and extension cords as this can result into fire or electric shock.
14. Never push objects of any kind into this monitor through cabinet slots as they may touch dangerous voltage points or short out parts that could result in a fire or electric shock. Never spill liquid of any kind on the monitor.
15. Do not attempt to service this monitor yourself since opening or removing covers may expose you to dangerous voltage or other hazards. Refer all servicing to qualified service personnel.
16. Unplug this monitor from the wall outlet and refer servicing to qualified service personnel under the following conditions:
  - a. When the power cord or plug is damaged or frayed.
  - b. If liquid has been spilled into the monitor.
  - c. If the monitor has been exposed to rain or water.
  - d. If the monitor does not operate normally by following the operating instructions, adjust only those controls that are covered by the operating instructions as improper adjustment of other controls may result in damage and will often require extensive work by a qualified technician to restore the monitor to normal operation.
  - e. If the monitor has been dropped or the cabinet has been damaged.
  - f. Where the monitor exhibits a distinct change performance, this indicates a need for service.
17. When replacement parts are required, be sure the service technician has used replacement parts specified by the manufacturer that has the same characteristics as the original parts. Unauthorized substitutions may result in fire, electric shock, or other hazards.
18. Upon completion of any service or repairs to this monitor, ask the service technician to perform routine safety checks to determine that the monitor is in safe operating condition.
19. The sound pressure level at the operators position according to IEC 704-1:1982 is equal or less that 70dB(A).

#### 1.4 Technical service warning for x-ray radiation protection

This product contains electrical and mechanical parts essential for x-ray protection.

For replacement purposes, use only part types shown in the parts list.

### 3.2 Appendix B: Pin Assignments:

Pin	Description	Pin	Description
1	Red	9	No-Connection
2	Green	10	Ground
3	Blue	11	Ground
4	Ground	12	No-Connection
5	Ground	13	H. Sync
6	Red Rtn	14	V. Sync
7	Green Rtn	15	No-Connection
8	Blue Rtn		

D – Sub Type 15P

### 3.3 Appendix C: Display Compatibility:

Format	Hor. Freq.	Vert. Freq.
640 x 350	31.50 kHz	70 Hz
640 x 400	31.50 kHz	70 Hz
640 x 480	31.50 kHz	60 Hz
640 x 480	35.00 kHz	67 Hz
800 x 600	35.20 kHz	56 Hz
1024 x 768	35.20 kHz	87 Hz
640 x 480	37.80 kHz	72 Hz
800 x 600	37.80 kHz	60 Hz
800 x 600	48.10 kHz	72 Hz
1024 x 768	48.40 kHz	60 Hz

### 3.4 Appendix D: HARC Checklist

Video Format	800 x 600 @ 72 Hz - 64k colors
Time zone setting	USA, Eastern Standard Zone
Set time for Purity Guard and AKB	4:30AM (0430)
Set time for On/Off timer	Off
Vertical Sizing	Size video to edge of screen in
Horizontal Sizing	the corner

Purity Guard	enable	Power Guard	enable
Orbiter	enable	Security	enable
Unit ID	enable	Auto Color Balance	enable
On/Off Time	disable	Master/Slave	disable

## CHAPTER 4 DISPLAY DATA

### 3.1 Appendix A: Specifications

- CRT
  - 19-inch viewable, 90 degree deflection, 52% light transmission, anti-glare/anti-static coating, standard gloss factor, dot pitch .39mm CRT
- DISPLAY FORMAT RANGE
  - 31 kHz to 50 kHz Multiscan / VESA Standard Formats
- HORIZONTAL VIDEO
  - Scanning frequency, 31 kHz - 50 kHz
- VERTICAL VIDEO
  - Scanning frequency, 50 Hz - 120 Hz
- DISPLAY SIZE
  - Bandwidth: 40 mHz at +/-3db
  - Light output: 40 foot lambert maximum
  - Horizontal: 16.20 inches, 411mm (adjustable)
  - Vertical: 12.00 inches, 305mm (adjustable)
- EXTERNAL DISPLAY CONNECTIONS
  - Video In - 15 pin D-sub connector VGA, Power In - IEC 3 pin connector
- INPUT/OUTPUT SIGNAL
  - Analog video 0.7Vpp/75 ohm positive Separate sync TTL Level, positive/negative
- POWER
  - Power On/Off switch on rear panel, 115 VAC power supply, 50/60 Hz, Power consumption 200 W nominal, Power ON indicator.
- REGULATORY CABINET SPECIFICATION
  - CSA • DHHS • FCC Class A
  - Height - 14.35 inches, Width - 18.10 inches, Depth - 17.12 inches: Does not include CRT face projection or cabinet feet.
- OPERATING CONDITIONS
  - Temperature: 0°C - 40°C (32°F - 104°F) Humidity: Non-condensing 20 to 90% RH Altitude: 0 to 10,000 feet
- Mi-SERIES
  - Intelligent Multi-Sync Display offers a fully Windows compatible, Intel based computer built-in, as well as all of the latest features of the DOT-X Mi-Series.
- DISPLAY SET UP
  - The M-20i monitor can be directly connected to a network, providing all the benefits of a Pentium-class computer without the space and mounting requirements or the need for a keyboard and mouse.
- OPTIONS
  - The HARCPlus option is available, which provides a Hand-Held Addressable Remote Control, On-Screen Menus, Purity Guard, Bright Guard, Orbiter and Network Remote Control, as well as many other features.
- COMPUTER SPECIFICATION
  - Mother Board - Intel
  - Hard Drive - 3.2 Gig minimum
  - CPU - 366 MHz minimum Intel Celeron with wake on LAN
  - Network Interface - 10/100 M
  - Power Supply - with wake on LAN
  - Memory - 64 Mb minimum
  - Video Interface - 4 Mb RAM
  - CPU Fan - Yes
  - 4 PCI slots available

### Using the Right Power Cord.

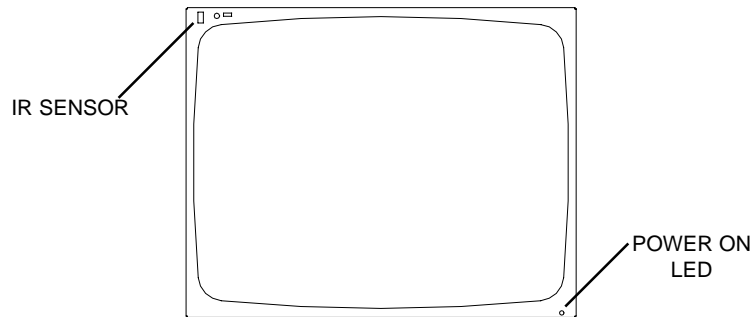
For units used at 115 VAC: Use a UL – Listed cord set consisting of a minimum No. 18 AWG, type SVT or SJT, rated 6A 125 VAC: three-conductor cord a maximum of 15 feet in length, and a parallel – blade, grounding – type attachment plug.

## Chapter 2 INSTALLATION

### 2.1 The Product

Before using this monitor, please make sure that all the items listed below are presented in your package.

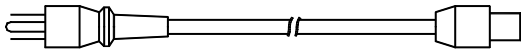
#### 1. Large screen color monitor



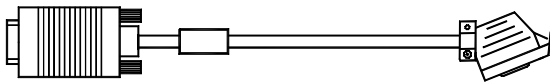
#### 2. User's manual



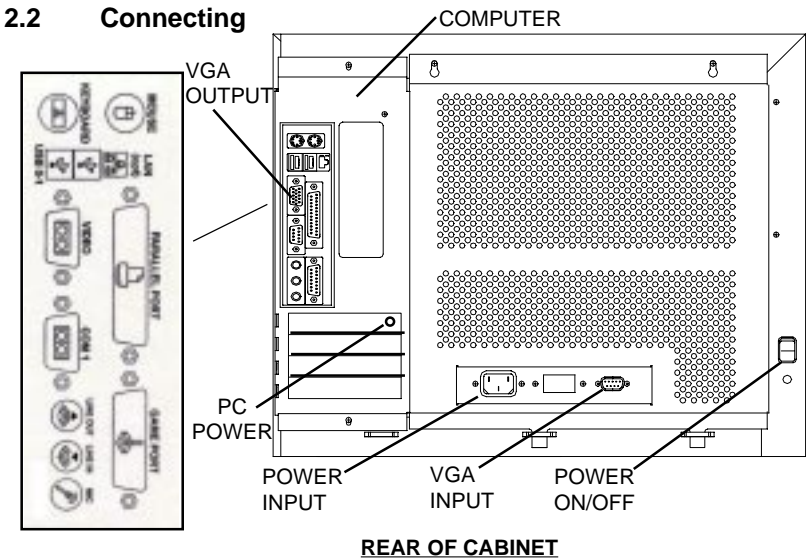
#### 3. Power cord



#### 4. VGA cable



### 2.2 Connecting



The procedure of setting up your large screen monitor as follows:

1. Switch off the power to both your monitor and computer, the location of the power switch is on the lower rear right corner of the monitor.
2. Power cable connection:  
Connect one end of the main power cord to main power socket at the rear of the monitor, and connect the other end of the cord to the main power supply.

Note: This monitor is set to operate using a 115 VAC +/- 10%, 50/60 Hz power supply, if the voltage in your home is different from this, consult your dealer.

3. Input Signal cable connection:  
Connect one end of the signal cable to the 15 pin D-Sub adapter at the rear of the monitor (VGA IN), and connect the other end of the signal cable to the computer (VGA OUTPUT).