

Dotronix MegaScreen™ Limited Warranty

Dotronix will repair or replace your product, at Dotronix's option, if it proves to be defective in material or workmanship under normal use, during the warranty period ("Warranty Period") listed below, effective from the date ("Date of Purchase") of original consumer purchase of the product. This warranty is good only to the original purchaser of the product and effective only when used in the United States, excluding U.S. Territories.

WARRANTY PERIOD:

LABOR: One Year from the Date of Purchase.
Parts: One Year from the Date of Purchase.
Halogen Lamp: 90 Days from the Date of Purchase.
* Parts replaced are warranted for the remaining portion of the original warranty period.

THIS WARRANTY IS IN LIEU OF ANY OTHER WARRANTIES, EXPRESSED OR IMPLIED, INCLUDING WITHOUT LIMITATION, ANY WARRANTY OF MERCHANTABILITY OR FITNESS FOR A PARTICULAR PURPOSE. TO THE EXTENT ANY IMPLIED WARRANTY IS REQUIRED BY LAW, IT IS LIMITED IN DURATION TO THE EXPRESSED WARRANTY PERIOD ABOVE. DOTRONIX WILL NOT BE LIABLE FOR ANY INCIDENTAL, CONSEQUENTIAL, INDIRECT, SPECIAL OR PUNITIVE DAMAGES OF ANY NATURE, EVEN IF ADVISED OF THE POSSIBILITY OF SUCH DAMAGES, INCLUDING WITHOUT LIMITATION, LOST REVENUES OR PROFITS, LOST OR CORRUPTED PROGRAMMING OR DATA, OR ANY OTHER DAMAGE WHETHER BASED IN CONTRACT, TORT OR OTHERWISE.

Some states do not allow the exclusion or limitation of incidental or consequential damages or limitation on how long an implied warranty lasts, so the above exclusion or limitation may not apply to you. This warranty gives you specific legal rights and you may also have other rights that may vary from state to state.

THIS LIMITED WARRANTY DOES NOT APPLY TO:

1. Damages or operating problems that result from shipping, installation, adjustment of user controls, calibration, maintenance or failure to maintain, or separate system components; and
2. Damages or operating problems that result from normal wear and tear, misuse, abuse, operation outside environmental specifications or contrary to the requirements or precautions in the Operating Guide, accident, lightning strikes or other natural causes, unauthorized modification or alteration, incorrect electrical current or voltage, reception problem caused by inadequate home antenna or faulty antenna connections, computer software, institutional or commercial use, or other causes not arising out of defect in material or workmanship.
3. **Therefore, the cost of repair or replacement of such defective product shall be borne by the customer.**

FOR SERVICE, PRODUCT ASSISTANCE OR CUSTOMER ASSISTANCE:

Call 651-855-1200, Monday - Friday, 8 A.M. - 4 P.M. CDT or visit our web site at www.dotronix.com.

ALL PRODUCTS RETURNED TO DOTRONIX MUST INCLUDE:

1. A tag or label on each unit with a description of the defect or reason for return, or identify each unit on the packing list by serial number and defect.
2. A packing list attached to the outside of the shipping container showing the Return Material Authorization Number (RMA) and the quantity returned.

Products returned that are not identified in accordance with the above procedure will be refused and returned at Buyer's expense.

To obtain a Return Material Authorization (RMA) number contact:

DOTRONIX INC.
160 First Street S.E. • St. Paul • Minnesota • 55112-7894
Phone 651-633-1742 • FAX 651-633-1065

Part Number 01130 Revision A

Dotronix User Manual



43" MegaScreen™

www.dotronix.com



www.dotronix.com

160 First Street S.E. St. Paul, MN 55112-7894 U.S.A. Phone: 651-633-1742 FAX: 651-633-7759

Table of Contents

Safety Warnings	3
Important Safety Instructions	4
Function Status Indicators	6
RGB-PC Input	7
Remote Control Functions in TV Mode	8
Internal Input Controls	10
Video Menu	11
Aspect Ratio	13
On-Screen Menus Language	14
Product Specification	15
Warranty	16

All rights reserved. No part of this publication may be reproduced, stored in a retrieval system, or transmitted, in any form or by any means, mechanical, photocopying, recording or otherwise, without the prior written permission of Dotronix, Inc. No patent liability is assumed with respect to the use of the information contained herein. Where every precaution has been taken in the preparation of this manual, Dotronix, Inc. and the author assume no responsibility for errors or omissions. Neither is any liability assumed for damage resulting from the use of the information contained herein.

Specifications are subject to change due to technological progress.

Product Specifications

Product: 43" Rear Projection MegaScreen

Specifications:

General Information

Power Input	120VAC @ 60Hz/230W
Operating Temperature	35 Degree C
Remote Controls	IR, Illuminated
Menus	English, French, Spanish
Agency Approvals	UL, C-UL, FCC-A, In process

Display Characteristics

Screen Size	43" Diag.
Tilt	Forward, Fixed, 5 Degree
Resolution	1280 x 720
Aspect Ratio	16:9
Expected Lamp Service Life	8500 Hours

Output Resolutions

NTSC, VGA, SVGA, XGA, SXGA HDTV	Recommend 800/600/60 (SVGA) 720p x 1280
------------------------------------	--

Cabinet

Finish	Black
Material	Steel/Aluminum
Style	CEILING structure or WALL mountable with top access openings for power and video cables.
Dimensions (See below)	
Weight (Approximate)	100 Lbs.
Cooling	Rear Exhaust vent and filtered intake. Unit requires a minimum of 2" wall clearance.

Warranty

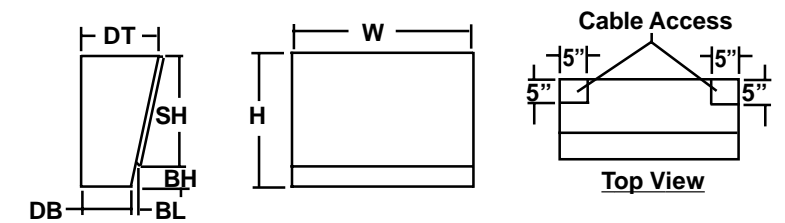
Depot (Ref. Quotation No.: Q16041) 3 Years

Lamp Warranty

Dotronix reflects the original manufactures warranty (Phillips)

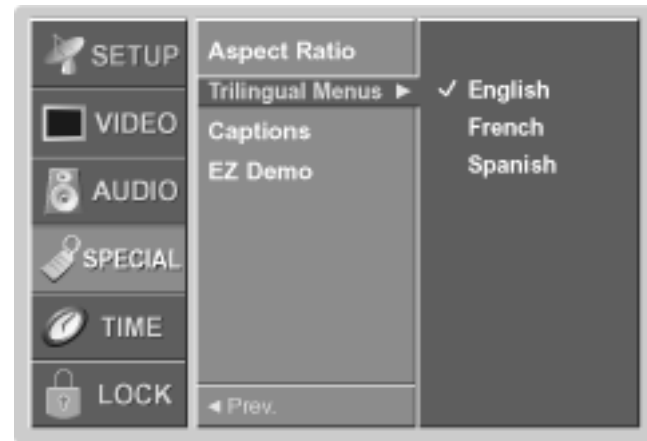
Dimensions

(W) Width	37.75" (959mm)
(H) Height	29.06" (738mm)
(DB) Depth	14.87" (378mm)
(DT) Depth	19.55" (497mm)
(BH) Base	7.57" (192mm)
(BL) Ledge	2.00" (51mm)
(SH) Screen	21.37" (543mm)

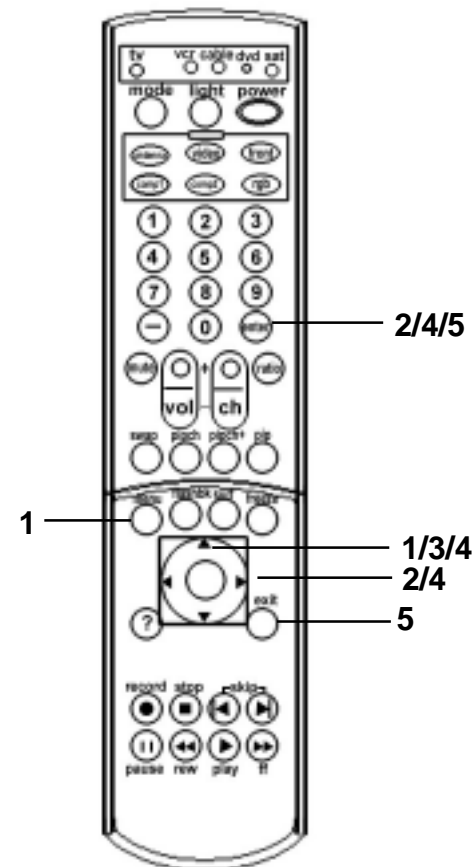


On-Screen Menu Language

Lets you select your preferred language for the menus:
English, Spanish, or French



1. Press the MENU button on the remote control, then use the UP/DOWN arrow button to select the Special menu.
2. Press ENTER or the RIGHT arrow button to activate the Special menu.
3. Use the UP/DOWN arrows to choose Trilingual Menus.
4. Press ENTER or the RIGHT arrow button to move into the Language selection menu. Use the UP/DOWN arrow button to select the language you wish to view on your on-screen menus.
5. Press EXIT to save and return to TV viewing or press the ENTER button to save and return to the previous menu.



SAFETY WARNINGS

WARNING
RISK OF ELECTRIC SHOCK
DO NOT OPEN

WARNING:
TO REDUCE THE RISK OF ELECTRIC SHOCK DO NOT REMOVE COVER (OR BACK). NO USER SERVICEABLE PARTS INSIDE. REFER TO QUALIFIED SERVICE PERSONNEL.

The lightning flash with arrowhead symbol, within an equilateral triangle, is intended to alert the user to the presence of uninsulated "dangerous voltage" within the product's enclosure that may be of sufficient magnitude to constitute a risk of electric shock to persons.

The exclamation point within an equilateral triangle is intended to alert the user to the presence of important operating and maintenance (servicing) instructions in the literature accompanying the appliance.

WARNING:
TO PREVENT FIRE OR SHOCK HAZARDS, DO NOT EXPOSE THIS PRODUCT TO RAIN OR MOISTURE.

POWER CORD POLARIZATION:
CAUTION: TO PREVENT ELECTRIC SHOCK, INSERT INTO A 3 PRONG GROUNDED OUTLET.

ATTENTION: POUR ÉVITER LES CHOCS ÉLECTRIQUES, INTRODUIRE LA LAME LA PLUS LARGE DE LA FICHE DANS LA BORNE CORRESPONDANTE DE LA PRISE ET POUSSER JUSQU'AU FOND.

NOTE TO CABLE/TV INSTALLER:
This reminder is provided to call the cable TV system installer's attention to Article 820-40 of the National Electric Code (U.S.A.). The code provides guidelines for proper grounding and, in particular, specifies that the cable ground shall be connected to the grounding system of the building, as close to the point of the cable entry as practical.

REGULATORY INFORMATION:
This equipment, Dotronix 43" MegaScreen, has been tested and found to comply with the limits for a Class A digital device, pursuant to Part 15 of the FCC Rules. These limits are designed to provide reasonable protection against harmful interference when the equipment is operated in a residential installation. This equipment generates, uses and can radiate radio frequency energy and, if not installed and used in accordance with the instruction manual, may cause harmful interference to radio communications. However, there is no guarantee that interference will not occur in a particular installation. If this equipment does cause harmful interference to radio or television reception, which can be determined by turning the equipment off and on, the user is encouraged to try to correct the interference by one or more of the following measures:

- Reorient or relocate the receiving antenna.
- Increase the separation between the equipment and receiver.
- Connect the equipment into an outlet on a circuit different from that to which the receiver is connected.
- Consult the dealer or an experienced radio/TV technician for help.

CAUTION:
Do not attempt to modify this product in any way without written authorization from Dotronix, Inc. Unauthorized modification could void the user's authority to operate this product.

IMPORTANT SAFETY INSTRUCTIONS

Important safeguards for you and your new product

Your product has been manufactured and tested with your safety in mind. However, improper use can result in electrical shock or fire hazards. To avoid defeating the safeguards that have been built into your new product, please read and observe the following safety points when installing and using your new product, and save them for future reference. Observing the simple precautions discussed in this booklet can help you get many years of enjoyment and safe operation that are built into your new product.

This product complies with all applicable U.S. Federal safety requirements, and those of the Canadian Standards Association.

1. Read Instructions

All the safety and operating instructions should be read before the product is operated.

2. Follow Instructions

All operating and use instructions should be followed.

3. Retain Instructions

The safety and operating instructions should be retained for future reference.

4. Heed Warnings

All warnings on the product and in the operating instructions should be adhered to.

5. Cleaning

Unplug this product from the wall outlet before cleaning. Do not use liquid cleaners or aerosol cleaners. Use a damp cloth for cleaning.

6. Water and Moisture

Do not use this product near water, for example, near a bath tub, wash bowl, kitchen sink, or laundry tub, in a wet basement, or near a swimming pool.

7. Accessories Carts and Stands

Do not place this product on a slippery or tilted surface, or on an unstable cart, stand, tripod, bracket, or table. The product may slide or fall, causing serious injury to a child or adult, and serious damage to the product. Use only with a cart, stand, tripod, bracket, or table recommended by the manufacturer, or sold with the product. Any mounting of the product should follow the manufacturer's instructions, and should use a mounting accessory recommended by the manufacturer.



8. Transporting Product

A product and cart combination should be moved with care. Quick stops, excessive force, and uneven surfaces may cause the product and cart combination to overturn.

9. Attachments

Do not use attachments not recommended by the product manufacturer as they may cause hazards.

10. Ventilation

Slots and openings in the cabinet are provided for ventilation and to ensure reliable operation of the product and to protect it from overheating, and these openings must not be blocked or covered. The openings should never be blocked by placing the product on a bed, sofa, rug, or other similar surface. This product should not be placed in a built-in installation such as a bookcase or rack unless proper ventilation is provided or the manufacturer's instructions have been adhered to.

11. Power Sources

This product should be operated only from the type of power source indicated on the marking label. If you are not sure of the type of power supply to your home, consult your product dealer or local power company. For products intended to operate from battery power, or other sources, refer to the operating instructions.

12. Power-Cord Polarization

This product is equipped with a polarized alternating-current line plug (a three prong plug). This plug will fit into the power outlet only one way. This is a safety feature. If you are unable to insert the plug into the outlet, contact your electrician to replace your obsolete outlet. Do not defeat the safety purpose of the polarized plug.

13. Power-Cord Protection

Power-supply cords should be routed so that they are not likely to be walked on or pinched by items placed upon or against them, paying particular attention to cords at plugs, convenience receptacles, and the point where they exit from the product.

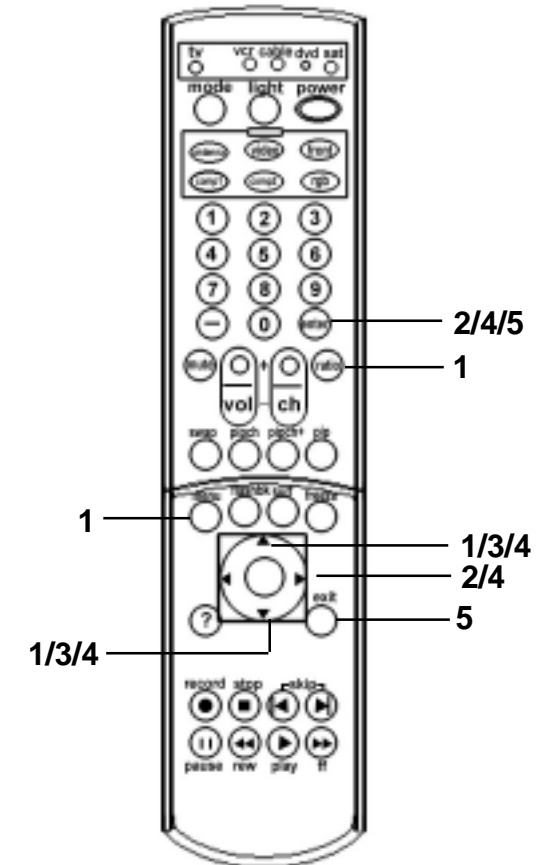
Aspect Ratio

1. Press the MENU button on the remote control, then use the UP/DOWN arrow button to select the SPECIAL menu. Or press RATIO button to instantly access the Aspect Ratio menu.
2. Press ENTER or the RIGHT arrow button to activate the Special menu.
3. Use the UP/DOWN arrows to choose Aspect Ratio.
4. Press ENTER or the RIGHT arrow button to move into the Aspect Ratio selection menu. Use the UP/DOWN arrow buttons to select the right ratio for your viewing environment:

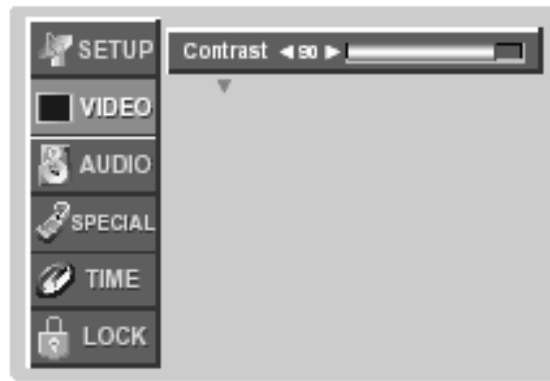


Lets you choose the way that an analog picture with a 4:3 aspect ratio is displayed with a 16:9 ratio. When you receive an analog picture with a 4:3 aspect ratio on your 16:9 display, you need to specify how the picture is to be displayed according to your preference.

- 4:3 - Choose when you want to view a picture with an original 4:3 aspect ratio, with black bars appearing at both the left and right sides.
 - Wide - Choose when you want to adjust the picture horizontally, in a linear proportion to fill the entire screen. (Useful for viewing 4:3 formatted DVDs.)
 - Panorama - Choose when you want to adjust the picture in a non-linear proportion, that is, more enlarged at both sides, to create a spectacular view.
 - Zoom1 - Choose when you want to view the picture without any alteration. However, the top and bottom portions of the picture will be cropped.
 - Zoom2 - Choose when you want the picture to be altered, both horizontally extended and vertically cropped. The picture taking a halfway trade off between alteration and screen coverage.
5. Press EXIT to save and return to TV viewing or press the ENTER button to save and return to the previous menu.



Video Menu



- **Contrast**
Adjusts the difference between the light and dark levels of the picture. Press the right arrow button to activate adjusting.
- **Brightness**
Adjusts the white or light level of the overall picture.
- **Sharpness**
Adjusts the level of crispness in the edges between the light and dark areas of the picture. The lower the level, the softer the image.
- **Color**
Adjusts the intensity of all colors.
- **Tint**
Adjusts the balance between the red and green levels.
- **EZ Video**
Lets you choose the preset value of the picture settings.
Custom: Lets you adjust the picture settings manually.
Normal: Restores the levels to their original picture settings.
Movie: Adjusts Video settings to enhance Movie viewing. Contrast and Sharpness levels are lowered so that the picture looks warm and soft.
Video Game: Sets the picture settings to the levels that are more suitable to enjoy games. Color, Contrast and Sharpness levels are lowered to reduce the amount of glare.
Sports: Sets the picture settings to the levels that are more suitable to view sporting events. Contrast and Color levels are raised so that an action scene appears clear and brilliant.
Weak Signal: Adjusts the picture settings to compensate for a weak signal reception. Contrast, Color and Sharpness levels are lowered to hide the picture imperfections.
Daylight: Increases the levels of all picture settings to fit daylight conditions.

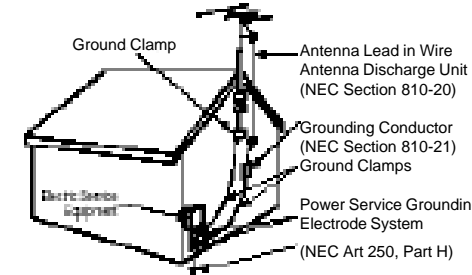
IMPORTANT SAFETY INSTRUCTIONS

(Continued from previous page)

14. Outdoor Antenna Grounding

If an outside antenna or cable system is connected to the product, be sure the antenna or cable system is grounded to provide protection against voltage surges and built-up static charges. Article 810 of the National Electrical Code (U.S.A.), ANSI/ NFPA 70 provides information with regard to proper grounding of the mast and supporting structure, grounding of the lead-in wire to an antenna discharge unit, size of grounding conductors, location of antenna discharge unit, connection to grounding electrodes, and requirements for the grounding electrode.

Example of Grounding According to National Electrical Code Instructions



NEC - National Electrical Code

15. Lightning

For added protection for this product (receiver) during a lightning storm, or when it is left unattended and unused for long periods of time, unplug it from the wall outlet and disconnect the antenna or cable system. This will prevent damage to the product due to lightning and power-line surges.

16. Power Lines

An outside antenna system should not be located in the vicinity of overhead power lines or other electric light or power circuits, or where it can fall into such power lines or circuits. When installing an outside antenna system, extreme care should be taken to keep from touching such power lines or circuits as contact with them might be fatal.

17. Overloading

Do not overload wall outlets and extension cords as this can result in a risk of fire or electric shock.

18. Object and Liquid Entry

Never push objects of any kind into this product through

openings as they may touch dangerous voltage points or short-out parts that could result in a fire or electric shock. Never spill liquid of any kind on the product.

19. Servicing

Do not attempt to service this product yourself as opening or removing covers may expose you to dangerous voltage or other hazards. Refer all servicing to qualified service personnel.

20. Damage Requiring Service

Unplug this product from the wall outlet and refer servicing to qualified service personnel under the following conditions:

- If the power-supply cord or plug is damaged.
- If liquid has been spilled, or objects have fallen into the product.
- If the product has been exposed to rain or water.
- If the product does not operate normally by following the operating instructions. Adjust only those controls that are covered by the operating instructions as an improper adjustment of other controls may result in damage and will often require extensive work by a qualified technician to restore the product to its normal operation.
- If the product has been dropped or the cabinet has been damaged.
- If the product exhibits a distinct change in performance.

21. Replacement Parts

When replacement parts are required, be sure the service technician has used replacement parts specified by the manufacturer or have the same characteristics as the original part. Unauthorized substitutions may result in fire, electric shock, or other hazards.

22. Safety Check

Upon completion of any service or repairs to this product, ask the service technician to perform safety checks to determine that the product is in proper operating condition.

23. Wall or Ceiling Mounting

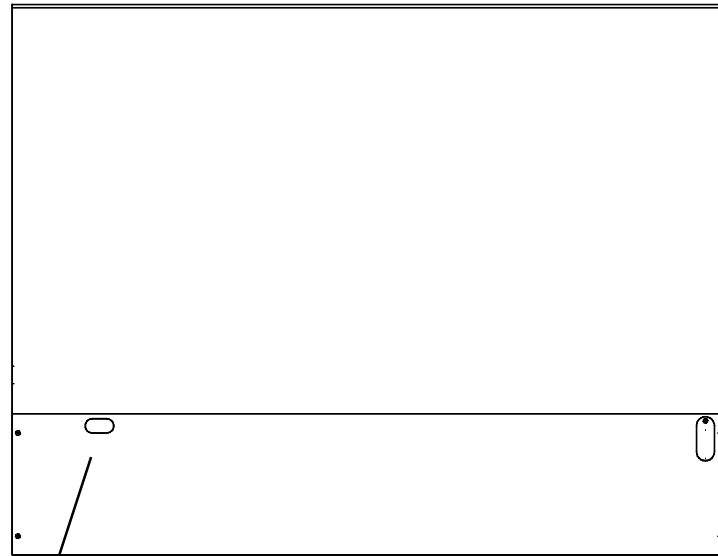
The product should be mounted to a wall or ceiling only as recommended by the manufacturer. The product may slide or fall, causing serious injury to a child or adult, and serious damage to the product.

24. Heat

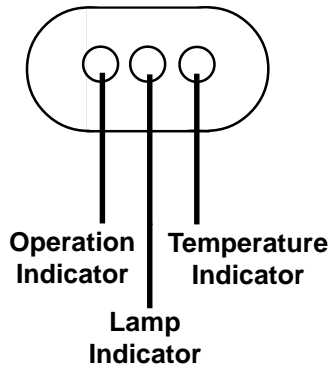
The product should be situated away from heat sources such as radiators, heat registers, stoves, or other products (including amplifiers) that produce heat.

Function Status Indicators

Lamp indicator, operation indicator, and temperature indicator located below the screen on the left reveal the operating status of the MegaScreen.

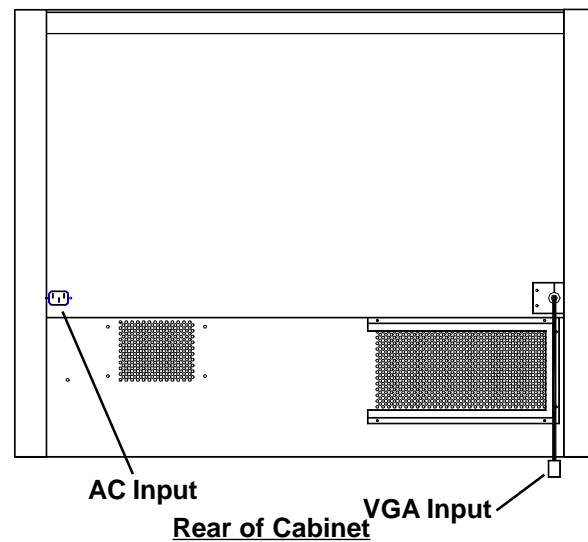


Front of Cabinet



Operation Indicator	Off	Power cord is not connected.
	Red	Power cord is connected, unit is in standby mode.
	Green	On
Lamp Indicator	Orange (flashing)	Preparing operation in standby mode.
	Orange	Projection lamp is reaching the end of its life and needs to be replaced with a new lamp.
	Red (flashing)	There is a problem with the lamp or around it. Contact an authorized service center.
Temperature Indicator	Green (flashing)	The lamp cover is not closed.
	Orange	The projector is overheating.
	Red (flashing)	The projector shutdown due to overheating. The projector shutdown, check the cooling fan.

Rear Connections



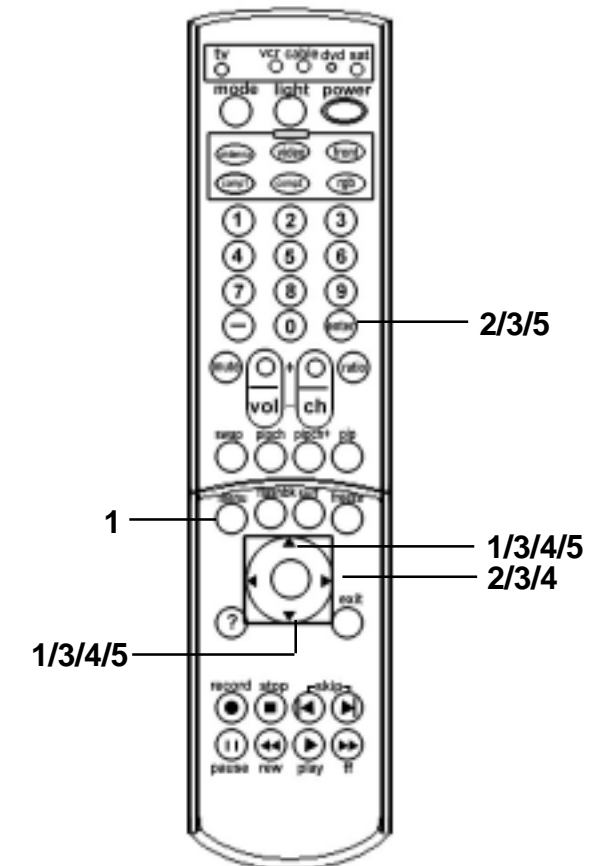
AC Input
Rear of Cabinet
VGA Input

Video Menu

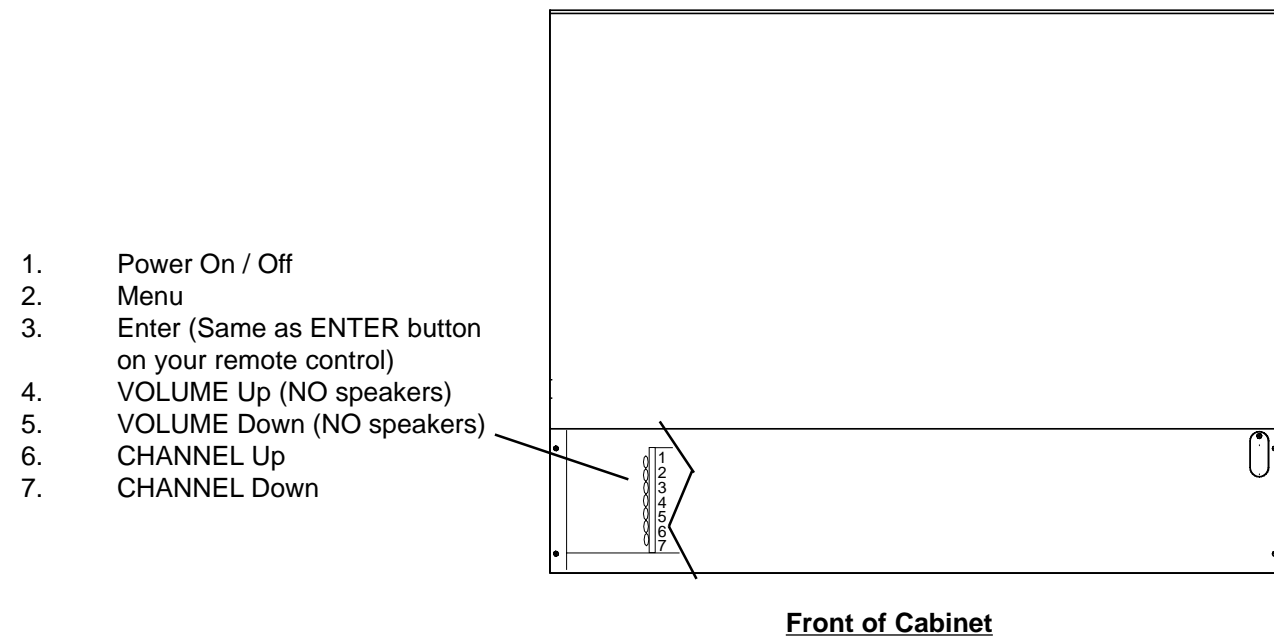
Adjust the picture appearance to suit your preference and viewing situations.



1. Press the MENU button on the remote control, then use the UP/DOWN arrow button to select the VIDEO menu.
2. Press ENTER or the RIGHT arrow button to access the VIDEO menu.
3. Use the UP/DOWN arrows to select one of the following options. Your options are: Contrast, Brightness, Sharpness, Color, Tint, EZ Video (Custom, Normal, Movie, Video Game, Sports, Weak Signal and Daylight). Then press ENTER or the Right arrow button.
4. Use the LEFT/RIGHT arrows to adjust the option to your preference (Contrast, Brightness, Sharpness, Color, Tint). Use the UP/DOWN arrows to select the option to your preference (EZ Video).
5. Press ENTER to save your choices and return to the previous menu or use the UP/DOWN arrows to select another option.

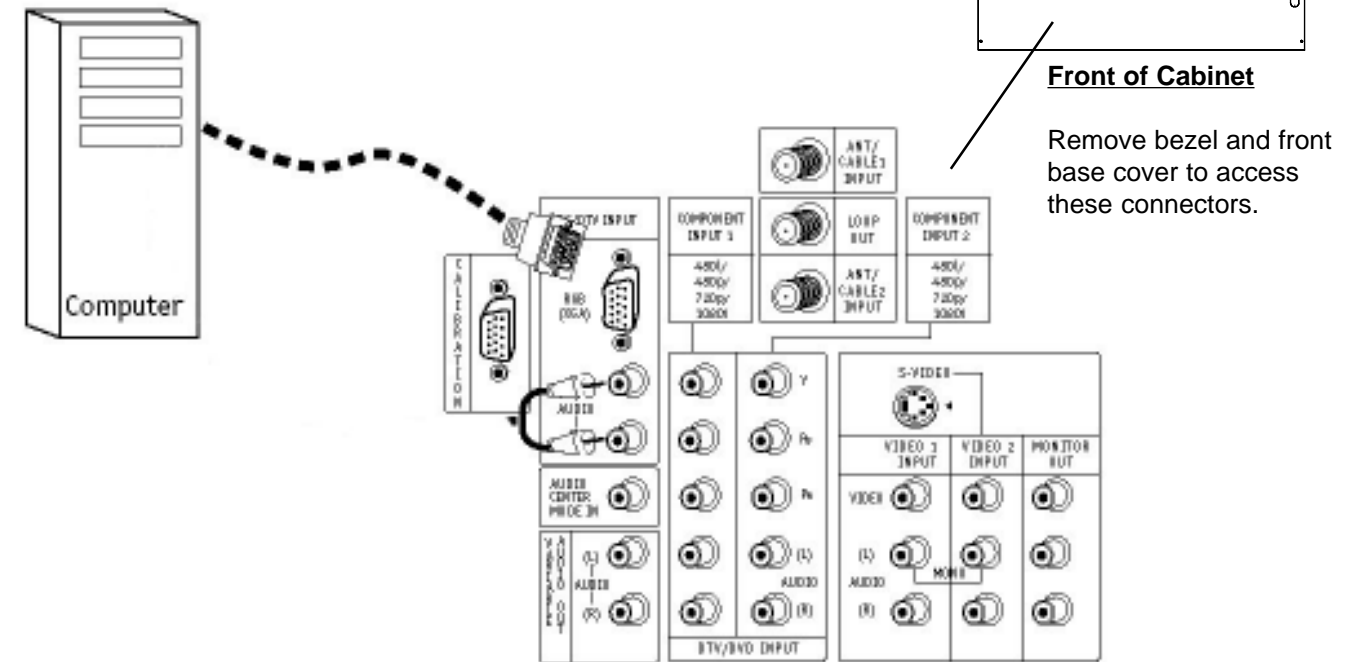


Internal Input Controls



RGB PC Input

1. Find the audio and XGA (Video output) jacks on the back of your PC and then connect them following the instructions provided with your equipment.
2. Connect this cable to your display as shown.



Select RGB-PC Source and press ENTER. Use UP/DOWN arrows to select the desired options (V-position/Hposition/V-size/H-size/PHASE) and then use LEFT/RIGHT arrows to make appropriate adjustments.

- Vertical position: Adjustment ranges are -20 ~ + 20.
- Horizontal position: Adjustment ranges are -25 ~ + 25.
- Vertical size: Adjustment ranges are -10 ~ + 10.
- Horizontal size: Adjustment ranges are -15 ~ + 15.
- PHASE: Use the info button to correct character trembling.

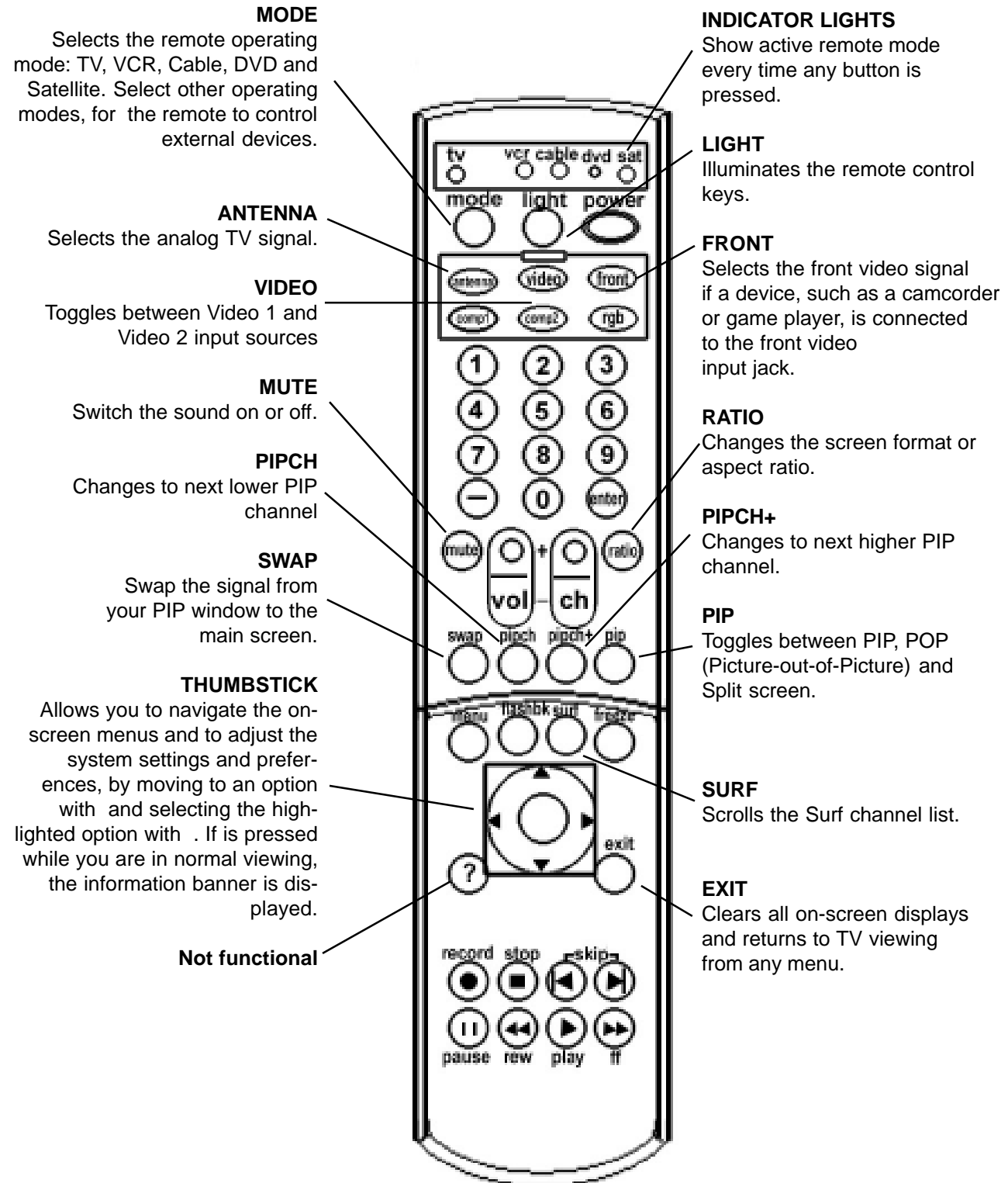
Adjustment ranges are -15 ~ + 15.

Synchronization input form: Signals are separate.

If unit is powered on waiting for signal in rgb mode, when one is given it will appear shifted. To make picture appear correctly press "antenna" and the return to "rgb".

MODE	Resolution	Horizontal	Vertical
Text	640x350	31.5KHz	70Hz
	640x480	31.5KHz	60Hz
VGA	640x480	37.9KHz	72Hz
	640x480	37.5KHz	75Hz
	800x600	35.2KHz	56Hz
SVGA	800x600	37.9KHz	60Hz
	800x600	48.1KHz	72Hz
	800x600	46.9KHz	75Hz
	1024x768	48.4KHz	60Hz
XGA	1024x768	56.5KHz	70Hz
	1024x768	60.0KHz	75Hz

Remote Control Functions in Display Mode



Remote Control Functions in Display Mode

